

- Indoor / Outdoor installations
- Extruded aluminium body epoxy painted
- Sliding removable body with hinged system
- Wide range of accessories available
- Weatherproof Standard IP66



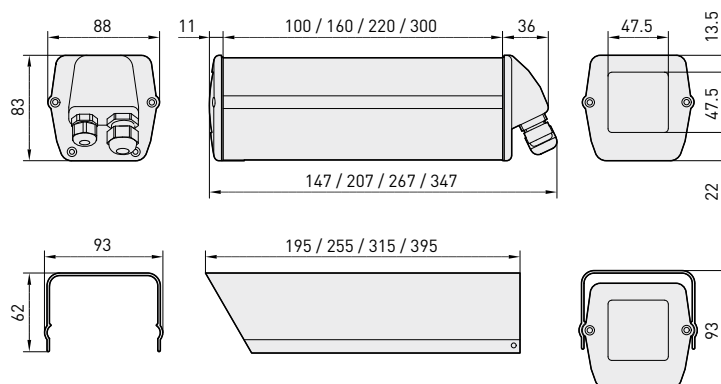
HET16K + WBCAA

1
CAMERA HOUSINGS

HET					
Model	Sunshield	Heater 115/230V AC	Heater 12V DC/24V AC	WBCAA bracket	Max consumption
HET10D0A000					
HET10D0A071				•	
HET10K0A000	•				
HET10K0A071	•			•	
HET16D0A000					
HET16D0A071				•	
HET16K0A000	•				
HET16K0A071	•			•	
HET16K1A000	•	•			40W
HET16K1A071	•	•		•	40W
HET16K2A000	•		•		20W
HET16K2A071	•		•	•	20W
HET22D0A000					
HET22K0A000	•				
HET22K1A000	•	•			40W
HET22K2A000	•		•		20W
HET30D0A000					
HET30K0A000	•				
HET30K1A000	•	•			40W
HET30K2A000	•		•		20W

New design, weatherproof housing for outdoor installations. Its dimensions make it suitable for small CCD cameras (1/3" and 1/4") with fixed lenses. Made of extruded and die-cast aluminium, it is provided with an innovative opening system which allows access to the housing's interior; the body and the sunshield slide forward and hang in place, while the unit remains fixed allowing access to the camera from all angles. Its weatherproof features are ensured by EPDM-rubber gaskets and 1 PG9 + 1 PG11 cable glands with their specific gaskets.

A wide range of accessories is available, including sunshield heater kit and camera power supply in weatherproof box.



The values are in millimeters.

TECHNICAL DATA

GENERAL

Die-cast aluminium back and front cover plates
 Extruded aluminium body and external slide
 Epoxypolyester powder painted colour RAL9002
 Stainless steel external screws
 Supplied with instruction manual, desiccant bag, accessories for camera and lens mounting

MECHANICAL

2 removable cable glands: 1xPG9 and 1xPG11
 Glass window (BxH): 47.5x47.5mm (1.9x1.9in)
 Internal usable area (BxH): 62x55mm (2.4x2.2in)

Internal usable length without accessories	
HET10	100mm (3.9in)
HET16	160mm (6.3in)
HET22	220mm (8.7in)
HET30	300mm (11.8in)

Internal usable length with heater	
HET16	95mm (3.7in)
HET22	140mm (5.5in)
HET30	215mm (8.5in)

ELECTRICAL

Heater Ton 15°C+/-3°C (59°F +/-5°F) Toff 22°C+/-3°C (71°F +/-5°F)
 - IN 12V DC/24V AC, consumption 20W max
 - IN 115/230V AC, consumption 40W max

ACCESSORIES

OHETS10A000	Sunshield for HET10
OHETS16A000	Sunshield for HET16
OHETS22A000	Sunshield for HET22
OHETS30A000	Sunshield for HET30
OHEH01	Heater 12V DC/24V AC (not HET10)

OHEH02	Heater 115/230V AC (not HET10)
OHEGBPS1B	Wide range camera power supply IN 100-240V AC - OUT 12V DC in weatherproof box
OHEGBPS2B	Camera power supply IN 230V AC - OUT 24V AC in weatherproof box
OHEGGB	Weatherproof junction box IP55

RELATED PRODUCTS

WBCAA	Aluminium wall/ceiling camera bracket (only HET10 and HET16)
WBMA	Wall bracket with ball joint (only HET22 and HET30)
WCM3A	Ceiling bracket with ball joint (only HET22 and HET30)
WCM5A	Ceiling bracket with ball joint (only HET22 e HET30)
WFWCA	Column mount with ball joint (only HET22 e HET30)
PTH300	Pan&Tilt series

ENVIRONMENT

Indoor / Outdoor
 Operating temperature with heater: -20°C / +50°C (-4°F / +122°F)
 Resistant to the salt-air fog until 1000 hours (according to ISO9227)

COMPLIANCE TO

CE according to EN61000-6-3, EN 60065, EN50130-4
 IP66 according to EN 60529

SPARE PARTS LIST

DOTHE02	Spacers for camera and lens
OHETMAN	Cable glands, gaskets and screws
OHETFA04	Front cover with screws and gaskets
OHETFP04	Back cover with cable glands screws and gaskets

Unit Weight:	Package Weight:	Package Dimension (BxHxL):	Master Carton:
HET10K1 0.8kg / 1.9lb	HET10K1 1kg / 2.2lb	HET10K1 14.5x15x27cm / 5.7x5.9x10.6in	HET10K1 15 units
HET10K0A071 0.9kg / 2.0lb	HET10K0A071 1.1kg / 2.4lb	HET10K0A071 13x17x35cm / 5.1x6.7x13.8in	HET10K0A071 16 units
HET16K1 1.1kg / 2.4lb	HET16K1 1.4kg / 3.0lb	HET16K1 13x17x35cm / 5.1x6.7x13.8in	HET16K1 16 units
HET16K1A071 1.3kg / 2.9lb	HET16K1A071 1.6kg / 3.5lb	HET16K1A071 13x17x35cm / 5.1x6.7x13.8in	HET16K1A071 16 units
HET22K1 1.4kg / 3.0lb	HET22K1 1.6kg / 3.5lb	HET22K1 13x17x35cm / 5.1x6.7x13.8in	HET22K1 16 units
HET30K1 1.7kg / 3.7lb	HET30K1 1.9kg / 4.2lb	HET30K1 13x13.5x45cm / 5.1x5.3x17.7in	HET30K1 12 units