



Mod. 616

2

HOUSINGS FOR PAN/MEGAPIXEL CAMERAS

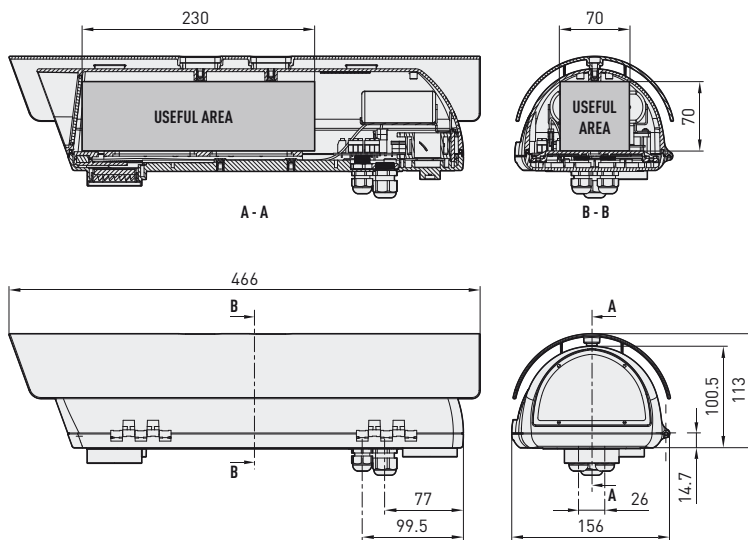
The VERSO Hi-PoE camera housing assures easy plug and play mounting, system reliability, economical service and installation for the IP and Megapixel cameras, thanks to the benefits of High Power PoE (Power over Ethernet). This technology allows to feed the 12Vdc cameras as well as the heater directly from the Ethernet cable. No need to add external power sources or bring additional power cables into the enclosure.

If your network does not have Hi-PoE, you can add it by using the 1 channel Power Injector (accessory available as an option), in addition Videotec certifies the compatibility of the Microsemi/PowerDsine HiPoE Multi Port 7000 Midspans series (available in 6, 12 and 24 port versions).

The VERSO Hi-PoE housing ensures total protection against all environmental conditions. Due to its side opening, the accessibility to the camera, lens and all its connections is made far easier. Entirely manufactured from the newest, most resistant technopolymer, VERSO Hi-PoE guarantees high impact resistance, weather protection from external agents and UV rays. Its weatherproof features are ensured by the neoprene-rubber gaskets and the 3 cable glands or installed with an internal cable management bracket and optional sealing rings.

VERSO Hi-PoE offers the possibility of various mounting options: wall mounted bracket, cable managed bracket, or on a Pan & Tilt head. A specific version with a very efficient cooling system is available for installations with high environmental temperature.

- HiPoE to power heater & network camera
- Integrated HiPoE splitter 24W, 12VDC
- Standard cable cat. 5
- Compatible with HiPoE PowerDsine midspans
- Entirely made of technopolymer (polycarbonate)
- Indoor / outdoor installations
- Side opening system, easy access to the camera
- Version with reinforced cooling system



The values are in millimeters.

VERSO HI-POE

HI-POE POLYCARBONATE CAMERA HOUSING



TECHNICAL DATA

2

HOUSINGS FOR IP AND MEGAPIXEL CAMERAS

VERSO Hi-PoE			
Model	Sunshield	24Vac heater	24Vac blower with double air exchange filter
HPV42K2A600	•	•	
HPV42K2A616	•	•	•

GENERAL

Entirely made of technopolymer (polycarbonate)
 RAL9002 Colour
 Stainless steel external screws
 Supplied with instruction manual, desiccants bag, accessories for camera and lens mounting

MECHANICAL

3 removable cable glands (2 PG9+1PG11)
 Polycarbonate window (BxH): 105x64mm (4.1x2.5in)
 Internal usable area (BxH): 70x70mm (2.7x2.7in)
 Internal usable length with and without accessories: 230mm (9.0in)

ELECTRICAL

Available power for camera: 10W, 12Vdc
 Heater Ton 15°C+/-3°C (59°F +/-5°F) Toff 22°C+/-3°C (71°F +/-5°F)
 Blower with thermostat Ton 35°C+/-3°C (95°F+/-5°F) Toff 20°C+/-3°C (71°F+/-5°F) for version with double filter

Compatible with the Power Injector (ref. OHEPOWINJ Videotec accessory)

- 1 channel PoE supply PoE - LAN 10/100/1000Mbps
- IN AC 90/264Vac, 1A
- Operating temperature: 0°C/+40°C (32°F/104°F)

Compatible also with the Microsemi/PowerDsine HiPoE Multi Port 7000 Midspans series (available in 6,12 and 24 channels versions)

ACCESSORIES

OHEPOWINJ	1 ch. Hi-PoE Power Injector
OHPVIRA	Bracket for mounting 1 infrared illuminator (not compatible with double filter housing)
OHEGBB*	Weatherproof junction box, IP55

For further specs on these accessories, please refer to the technical data sheet "CAMERA HOUSINGS".

RELATED PRODUCTS

WBJA	Wall bracket with ball joint
WBOVA2	Wall bracket with internal cable channel
WBOV3A2	Wall bracket with internal cable channel, support plate and integrated junction box
WCM3A	Ceiling bracket with ball joint
WCM5A	Ceiling bracket with ball joint
WCM4A2	Ceiling bracket with internal cable channel
WFWCA	Column mount with ball joint
OWBIP1	Kit special gasket to allow protection IP66 for WBOVA2 and WCM4A2
PTH300	Pan&Tilt series
PTH900	Pan&Tilt series

ENVIRONMENT

Indoor / Outdoor
 Operating temperature with heater: -20°C / +50°C (-4°F / +122°F)
 Very good resistance to the following chemical agents: basics, alcohols, gasses, hydrocarbon
 Good resistance: organic and inorganic acids, oils
 Low resistance: solvents

COMPLIANCE TO

CE according to EN61000-6-3, EN 60950, EN50130-4
 IP66 according to EN 60529 with cable glands
 IP66 according to EN 60529 with special gasket and bracket with internal cable channel
 IP54 according to EN 60529 with bracket with internal cable channel
 IP44 according to EN 60529 with double filter housing
 V1 fire-self extinguish compliance according to UL94
 Impact resistance IK10 according to EN 50102

SPARE PARTS LIST

OHPVS42A000	Sunshield
DOTHPV01	Cable glands, gaskets and screws
OHPV42CS04	Complete upper body
OBKFL	Replacement filter kit for double filter housing



Unit Weight:
HPV42K2A600 1.6kg / 3.5lb

Package Weight:
HPV42K2A600 1.9kg / 4.2lb

Package Dimension (BxHxL):
HPV42K2A600 16.5x15.5x49cm / 6.5x6.1x19.3in

Master Carton:
HPV42K2A600 10 units