

**Sunshield** • Protection against solar rays and reduction of housing internal temperature from 5° up to 10°C.

**Heating** • Circuit made up of a thermostatically controlled heating element PTC, (Ton 15°C+/-3°C [59°F+/-37°F] Toff 22°C +/-3°C [71°F+/-37°F]). It is available in 12V DC/24V AC, max 20W voltage or 115/230V AC, max 40W voltage.

**Blower** • Cooling ventilator with thermostat and air filter (Ton ≤ 35°C+/-3°C, 95°F+/-37°F; Toff ≥ 20°C+/-3°C, 68°F+/-37°F). It is available in 12V DC, 24V AC and 230V AC versions, pre-installed in the housing or as optional kit. Blower consumption 4W max. (Not suitable in case of using the bracket with internal cable channel).

**Camera power supply** • Camera feeding circuit, which can be installed inside the housing, available in different versions, 100-240V AC or 230V AC input and 24V AC or 12V DC output.

**Weatherproof junction box** • External junction box, weatherproof standard IP55, allowing the housing of wiring harnesses or auxiliary cards. The model containing the camera power supply is available in the 100-240V AC input, 50/60Hz output 12V DC, 1A max version or 230V AC input, 50Hz output 24V AC, 400mA max version. Supplied with 4 PG9 cable glands.

**Double heating** • Circuit made up of a thermostatically controlled double PTC (Ton 35°C+/-3°C, 95°F+/-37°F; Toff 20°C+/-3°C, 68°F+/-37°F) with total power of 80W max, 115/230V AC, for installations where temperatures are very rigorous. Operating temperatures down to -40°C [-40°F]. Available for HEG and HEP housings.

**Triple heating** • Circuit made up of a thermostatically controlled triple fan-assisted PTC (Ton 35°C+/-3°C, 95°F+/-37°F; Toff 20°C+/-3°C, 68°F+/-37°F) with total power of 120W max, 115/230V AC. Operating temperatures down to -50°C [-58°F]. Available for HEG housing.

**Wiper** • Wiper kit which can be directly installed on the housing body. It completes the support for the pump washing injector. Available in 24V AC and 230V AC versions, 7W max. Available for HEG series housing.

**Washer and reservoir** • Glass washing kit available with 5 or 25l (1.3 or 6.6gal) reservoir. The pump is available in 24V AC and 230V AC, and in 230V AC with high delivery, up to 30m (98ft). Available for HEG and HOV series housings.

**Fan assisted heater** • It allows forced air circulation and homogeneous temperature inside the housing. Available for VERSO, VERSO COMPACT and HOV housings.

**Alarm tamper switch** • Alarm contact which verifies tampering of the housing. Available for VERSO and HOV housings.

**Sealing rings IP66 for bracket with internal cable channel** • To be used with brackets WBOVA2 and WCM4A2 for IP66 weatherproof protection.

- Covering any installation requirement
- Supplied factory-installed or as a simple kit

HEATERS



CAMERA POWER SUPPLIES



WIPER



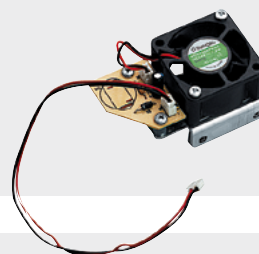
WEATHERPROOF JUNCTION BOX



WASHER PUMP AND TANKS



FAN ASSISTED HEATER



ALARM TAMPER SWITCHER



SEALING RINGS IP66



## HOUSINGS AND ACCESSORIES CHART

	VERSO	VERSO COMPACT	HEA26	HEA30	HEB26	HEB32	HEG37	HEG47	HEK26	HEK30
Sunshield	OHPVS42A000	OHPVS36A000	OHEAS26A000	OHEAS30A000	OHEBS26A000	OHEBS32A000	OHEGS37A000	OHEGS47A000	OHEKS26A000	OHEKS30A000
Heater 12V DC/24V AC	OHPVH2	OHPVH2	OHEH01	OHEH01	OHEH09B	OHEH09B	OHEH25	OHEH25	OHEH22	OHEH22
Heater 115/230V AC	OHPVH1	OHPVH1	OHEH02	OHEH02	OHEH10B	OHEH10B	OHEH24	OHEH24	OHEH21	OHEH21
Blower 12V DC	-	-	OHEAVF1A	OHEAVF1A	OHEBVF1	OHEBVF1	-	-	OHEKVF1E	OHEKVF1E
Blower 24V AC	-	-	OHEAVF2A	OHEAVF2A	OHEBVF2	OHEBVF2	-	-	OHEKVF2E	OHEKVF2E
Blower 230V AC	OHPVCF3	-	OHEAVF3A	OHEAVF3A	OHEBVF3	OHEBVF3	-	-	-	-
Camera power supply 12V DC	OHEPS19B	OHEPS19B	OHEPS05	OHEPS05	OHEPS01B	OHEPS01B	OHEPS19B	OHEPS19B	OHEPS10B	OHEPS10B
Camera power supply 24V AC	OHEPS20	OHEPS20	OHEPS06	OHEPS06	OHEPS02B	OHEPS02B	OHEPS20	OHEPS20	OHEPS11B	OHEPS11B
Weatherproof junction box IP55	OHEGBB	OHEGBB	OHEGBB	OHEGBB	OHEGBB	OHEGBB	OHEGBB	OHEGBB	OHEGBB	OHEGBB
Power supply 12V DC on weatherproof junction box	OHEGBPS1B	OHEGBPS1B	OHEGBPS1B	OHEGBPS1B	OHEGBPS1B	OHEGBPS1B	OHEGBPS1B	OHEGBPS1B	OHEGBPS1B	OHEGBPS1B
Power supply 24V AC on weatherproof junction box	OHEGBPS2B	OHEGBPS2B	OHEGBPS2B	OHEGBPS2B	OHEGBPS2B	OHEGBPS2B	OHEGBPS2B	OHEGBPS2B	OHEGBPS2B	OHEGBPS2B
Wiper 24V AC	-	-	-	-	-	-	VIP6A2	VIP6A2	-	-
Wiper 230V AC	-	-	-	-	-	-	VIP6A1	VIP6A1	-	-
Washer + reservoir, 24V AC	-	-	-	-	-	-	VIP5WAS02 VIP25WAS02	VIP5WAS02 VIP25WAS02	-	-
Washer + reservoir, 230V AC	-	-	-	-	-	-	VIP5WAS01 VIP25WAS01 VIP25WASA01	VIP5WAS01 VIP25WAS01 VIP25WASA01	-	-
Fan assisted heater 12V DC	OHPVV1	OHPVV1	-	-	-	-	-	-	-	-
Fan assisted heater 24V AC	OHPVV2	OHPVV2	Factory installed	Factory installed	Factory installed	Factory installed	-	-	Factory installed	Factory installed
Fan assisted heater 230V AC	OHPVV3	OHPVV3	-	-	-	-	-	-	-	-
Alarm tamper switch	OHPVTA1	-	-	-	-	-	-	-	-	-

## HOUSINGS AND ACCESSORIES CHART

	HEM22	HEM26	HEM30	HEP32	HET10	HET16	HET22	HET30	HOV
Sunshield	OHEMS22A000	OHEMS26A000	OHEMS30A000	OHEPS32A000	OHETS10A000	OHETS16A000	OHETS22A000	OHETS30A000	OHOV32A000
Heater 12V DC/24V AC	OHEH01	OHEH01	OHEH01	OHEH05	-	OHEH01	OHEH01	OHEH01	OHOVH2
Heater 115/230V AC	OHEH02	OHEH02	OHEH02	OHEH06	-	OHEH02	OHEH02	OHEH02	OHOVH1
Blower 12V DC	OHEMV1A	OHEMV1A	OHEMV1A	OHEPV1A	-	-	-	-	OHOW1
Blower 24V AC	OHEMV2A	OHEMV2A	OHEMV2A	OHEPV2A	-	-	-	-	OHOW2
Blower 230V AC	-	-	-	OHEPV3A	-	-	-	-	OHOW3
Camera power supply 12V DC	OHEPS05	OHEPS05	OHEPS05	OHEPS01	-	-	-	-	OHOVPS1B
Camera power supply 24V AC	OHEPS06	OHEPS06	OHEPS06	OHEPS02	-	-	-	-	OHOVPS2B
Weatherproof junction box IP55	OHEGBB	OHEGBB	OHEGBB	OHEGBB	OHEGBB	OHEGBB	OHEGBB	OHEGBB	OHEGBB
Power supply 12V DC on weatherproof junction box	OHEGBPS1B	OHEGBPS1B	OHEGBPS1B	OHEGBPS1B	OHEGBPS1B	OHEGBPS1B	OHEGBPS1B	OHEGBPS1B	OHEGBPS1B
Power supply 24V AC on weatherproof junction box	OHEGBPS2B	OHEGBPS2B	OHEGBPS2B	OHEGBPS2B	OHEGBPS2B	OHEGBPS2B	OHEGBPS2B	OHEGBPS2B	OHEGBPS2B
Wiper 24V AC	-	-	-	-	-	-	-	-	Factory installed
Wiper 230V AC	-	-	-	-	-	-	-	-	Factory installed
Washer + reservoir, 24V AC	-	-	-	-	-	-	-	-	VIP5WAS01 VIP25WAS01
Washer + reservoir, 230V AC	-	-	-	-	-	-	-	-	VIP5WAS01 VIP25WAS01 VIP25WASA01
Fan assisted heater 12V DC	-	-	-	-	-	-	-	-	-
Fan assisted heater 24V AC	-	-	Factory installed	-	-	-	-	-	-
Fan assisted heater 230V AC	-	-	-	-	-	-	-	-	-
Alarm tamper switch	-	-	-	-	-	-	-	-	OHOVTA1

## TECHNICAL DATA

### GENERAL

#### Sunshield

Extruded aluminium

Epoxypolyester powder painted colour RAL9002

In technopolymer, RAL9002 for VERSO e VERSO COMPACT

In ABS, RAL9002, for HOV

#### Heater Ton 15°C+/-3°C (59°F +/-5°F) Toff 22°C+/-3°C (71°F +/-5°F)

- IN 12V DC/24V AC, consumption 20W max

- IN 115/230V AC, consumption 40W max

#### Blower kit with thermostat air filter, Ton 35°C+/-3°C (95°F+/-5°F) Toff 20°C+/-3°C (71°F+/-5°F)

- IN 12V DC, consumption 4W max

- IN 24V AC, consumption 4W max

- IN 230V AC, consumption 4W max, complete with voltage transformer

*Not compatible with bracket with internal cable channel*

#### Camera power supply

- IN 100-240V AC - OUT 12V DC, 50/60 Hz, 1A

- IN 230V AC - OUT 12V DC, 50Hz, 400mA

- IN 230V AC - OUT 24V AC, 50Hz, 400mA

#### Camera power supply in weatherproof box

- IN 100-240V AC - OUT 12V DC, 50/60 Hz, 1A

- IN 230V AC - OUT 24V AC, 50Hz, 400mA

#### Weatherproof junction box

4 cable glands PG9

IP55

#### Wiper

Entirely built in reinforced polypropylene

RAL9002 colour

IP66

Dimensions [BxHxL]: 99x114x209mm [3.8x4.4x8.2 in] [not comprehensive of blade]

Connector 3+1 PINS

IN 230V AC, consumption 7W max

IN 24V AC, consumption 7W max

Operating temperature: -20°C / +50°C [-4°F / +122°F]

Supplied with instruction manual

#### Washer pump and tanic of 5 liters

Dimensions [BxHxL]: 217x272x254mm [8.5x10.7x10.0in]

Reservoir capacity: 5l [1.3gal]

Delivery head: max 5m [1.6ft]

Tube length: 4m [13ft]

IN 230V AC, consumption 12W max

IN 24V AC, consumption 12W max

IP56

Supplied with instruction manual and antifreezing liquid

#### Washer pump and tanic of 25 liters

Dimensions [BxHxL]: 301x458x345mm [11.8x18.0x13.6in]

Reservoir capacity: 25l [6.6gal]

Delivery head: max 5m [1.6ft]

Tube length: 4m [13ft]

IN 230V AC, consumption 12W max

IN 24V AC, consumption 12W max

IP56

Supplied with instruction manual and antifreezing liquid

#### Washer pump high delivery up to 30m

Dimensions [BxHxL]: 710x300x270mm [28x12x11in]

Reservoir capacity: 25l [6.6gal]

Delivery head: max 30m [98ft]

Tube length: 30m [98.5ft]

IN 230V AC, consumption 600W max

IP45

Supplied with instruction manual and antifreezing liquid

### PART NUMBER

<b>OHEGBB</b>	Weatherproof junction box IP55
<b>OHEGBPS1B</b>	Wide range camera power supply IN 100-240V AC - OUT 12V DC in weatherproof box
<b>OHEGBPS2B</b>	Camera power supply IN 230V AC - OUT 24V AC in weatherproof box
<b>VIP6A1</b>	Wiper kit 230V AC
<b>VIP6A2</b>	Wiper kit 24V AC
<b>VIP5WAS01</b>	Tank 5l, 230V AC washer pump
<b>VIP5WAS02</b>	Tank 5l, 24V AC washer pump
<b>VIP25WAS01</b>	Tank 25l, 230V AC washer pump
<b>VIP25WAS02</b>	Tank 25l, 24V AC washer pump
<b>VIP25WASA01</b>	Tank 25l, 230V AC washer pump, high delivery up 30m [98.4ft]
<b>OWBIP1</b>	Sealing rings kit (1xPG11 and 2xPG9) for WBOVA2, WCM4A2 brackets for HOV32, VERSO and HEB housings
<b>OWBIP2</b>	Sealing rings kit (3xM16) for WBOVA2, WCM4A2 brackets for HEK housing

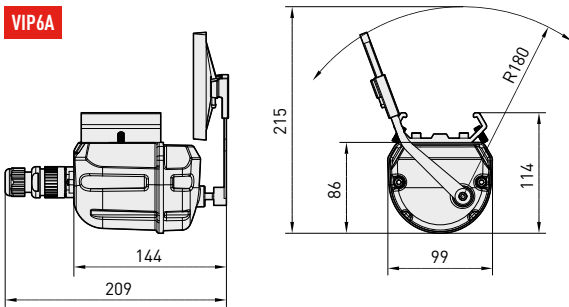
*For the power supply and heater codes refer to the relevant housing technical data sheet.*

### SPARE PARTS LIST

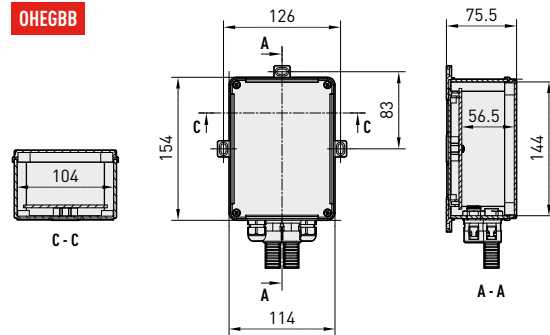
<b>SPATER</b>	Rubber wiper blade for VIP6A
<b>OVIP6SPAHEG</b>	Complete wiper blade for VIP6A

	<b>Unit Weight:</b>	<b>Package Weight:</b>	<b>Package Dimension [BxHxL]:</b>	<b>Master Carton:</b>
	<b>OHEGBB</b> 0.4kg / 0.8lb	<b>OHEGBB</b> 0.6kg / 0.1lb	<b>OHEGBB</b> 17x35x13cm / 6.7x13.8x5.1in	<b>OHEGBB</b> 16 units
	<b>OHEGBPS</b> 0.8kg / 1.7lb	<b>OHEGBPS</b> 1.0kg / 2.2lb	<b>OHEGBPS</b> 17x35x13cm / 6.7x13.8x5.1in	<b>OHEGBPS</b> 16 units
	<b>VIP6A</b> 0.7kg / 1.5lb	<b>VIP6A</b> 0.9kg / 1.9lb	<b>VIP6A</b> 14.5x15x27cm / 5.7x5.9x10.6in	<b>VIP6A</b> 15 units
	<b>VIP5WAS</b> 3.2kg / 7.0lb	<b>VIP5WAS</b> 3.7kg / 8.1lb	<b>VIP5WAS</b> 31x23.5x31cm / 12.2x9.3x12.2in	<b>VIP5WAS</b> -
	<b>VIP25WAS</b> 5.1kg / 11.2	<b>VIP25WAS</b> 6.1kg / 13.4lb	<b>VIP25WAS</b> 39x33x56cm / 15.4x13.0x22.0in	<b>VIP25WAS</b> -
	<b>VIP25WASA01</b> 13.3kg / 29.8lb	<b>VIP25WASA01</b> 14.6kg / 32.2lb	<b>VIP25WASA01</b> 35.5x45x80cm / 14x17.7x31.5in	<b>VIP25WASA01</b> -
	<b>OWBIP1</b> 0.1kg / 0.2lb	<b>OWBIP1</b> 0.1kg / 0.2lb	<b>OWBIP1</b> 8.5x 5.5x11.5cm / 3.4x2.2x4.5in	<b>OWBIP1</b> 30 units
	<b>OWBIP2</b> 0.1kg / 0.2lb	<b>OWBIP2</b> 0.1kg / 0.2lb	<b>OWBIP2</b> 8.5x 5.5x11.5cm / 3.4x2.2x4.5in	<b>OWBIP2</b> 30 units

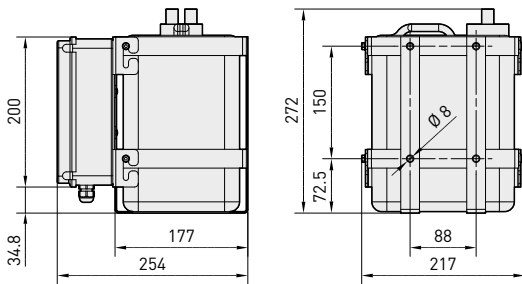
VIP6A



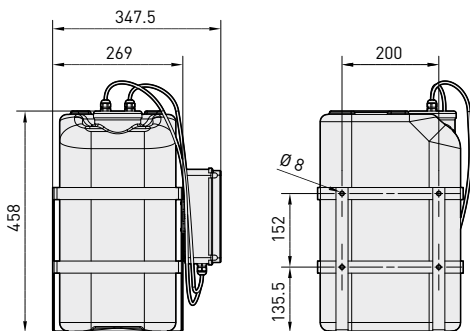
OHEGBB



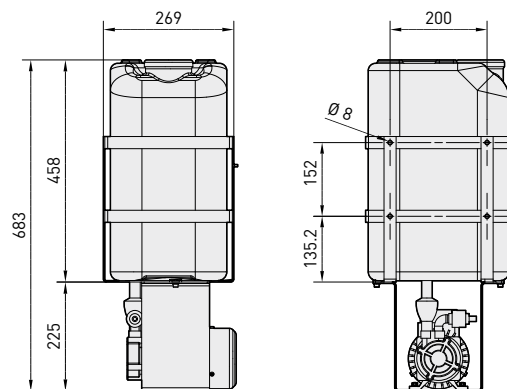
VIP5WAS



VIP25WAS



VIP25WASA01



The values are in millimeters.

