

- Indoor/outdoor installations
- Stainless steel screws
- Black epoxy powder painted
- Weatherproof standard IP66 (IR50) and IP65 (IR300)

IR50

IR300

The infrared illuminators from Videotec allow the generation of high quality images during the night surveillance to TVCC cameras sensitive to infrared rays.

IR infrared illuminators are made from die-cast aluminium; painted with epoxy polyester; they ensure high protection and environmental adaptability.

The infrared beam has a wavelength of 850nm. IR illuminators are assembled with stainless steel screws and "O" rings which guarantee a IP66 weatherproof standard (IP65 for IR300).

Lamps with different light beams (spot, flood, wide flood) are available.

They're recommended for military surveillance, perimeter surveillance, airports and prisons.


OIRCR

IRPS12

IR	
ILLUMINATORS	
IR50SP11	Outdoor IR illuminator spot
IR50FL11	Outdoor IR illuminator flood
IR50WFL11	Outdoor IR illuminator wideflood
IR50FL2	Outdoor IR illuminator flood
IR300SP2	Outdoor IR illuminator spot
IR300FL2	Outdoor IR illuminator flood
IR300WFL2	Outdoor IR illuminator wideflood
ACCESSORIES	
IRPS12	Power supply IN 230V AC, OUT 12V AC in weatherproof box for IR50
IRBA	Bracket for mounting two infrared illuminators IR50 on HEG housing
OHPVIRA	Adaptor for mounting of one infrared IR50 on VERSO and VERSO COMPACT housings
OIRCR	Night switch for infrared illuminator 230V AC


VERSO + IR50 + WBOVA2 + OHPVIRA

HEG + IRBA + 2 IR50 + WBJA

TECHNICAL DATA

INFRARED BEAM/DISTANCE

	V AC	Horizontal beam	Vertical beam	Distance (m / ft) *
IR50SP11	12	10°	10°	20
IR50FL11	12	40°	40°	16
IR50WFL11	12	60°	60°	12
IR50FL2	230	40°	40°	16
IR300SP2	230	10°	8°	65
IR300FL2	230	23°	10°	50
IR300WFL2	230	40°	20°	35

* Typical distance of the subject to illuminate; it depends of the reflection coefficient of the illuminated scene, camera sensitivity at IR wavelength, lens combination, etc.

GENERAL

Die-cast aluminium body
 Black epoxy polyester powder painted
 Stainless steel screws
 Infrared beam wavelength: 850nm
 Supplied with instruction manual and 1.5m (4.9ft) of pre-wired cable

MECHANICAL

1 PG9 cable gland

Dimensions (BxHxL)

IR50	108x124.5x146mm (4.2x4.9x5.7in)
IR300	213x235x262mm (8.3x9.2x10.3in)
IRPS12	152x159x146mm (5.9x6.3x5.7in)

ELECTRICAL

Power

- 12V DC/V AC, consumption 50W (IR50)
- 230V AC, consumption 50W (IR50)
- 230V AC, consumption 300W (IR300)

Lamp duration

IR50	2000 hours
IR300	3000 hours

ENVIRONMENT

Indoor / Outdoor
 Operating temperature: -20°C / +50°C (-4°F / +122°F)

RELATED PRODUCTS

IRPS12	Power supply 230V AC/12V AC in weatherproof box for IR50
OIRCR	Night switch for infrared illuminators 230V AC
IRBA	Bracket for mounting 2 infrared illuminators on housing (not compatible with double filter housing)
OHPVIRA	Bracket for mounting 1 infrared illuminator (not compatible with double filter housing)

COMPLIANCE TO

CE according to EN 60065
 IP66 (IR50)
 IP65 (IR300)
 IP56 (IRPS12)

SPARE PARTS LIST

OIR12FA	Front panel IR50 complete with filter
OIR220	Complete wiring for IR300
OIR300FA	Front panel IR300 complete with filters



Unit Weight:

IR50 0.9kg / 1.9lb
 IR300 5.3kg / 11.7lb
 IRPS12 2kg / 4.4lb
 IRBA 0.6kg / 1.3lb
 OHPVIRA 0.3kg / 0.6lb
 OIRCR 0.2kg / 0.4lb

Package Weight:

IR50 1.3kg / 2.9lb
 IR300 6.2kg / 13.7lb
 IRPS12 2.1kg / 4.6lb
 IRBA 0.7kg / 1.5lb
 OHPVIRA 0.4kg / 0.8lb
 OIRCR 0.2kg / 0.4lb

Package Dimensions (BxHxL):

IR50 14.5x15x27cm / 5.7x5.9x10.6in
 IR300 24x32x24.5cm / 9.4x12.6x9.6in
 IRPS12 19x19x19cm / 7.4x7.4x7.4in
 IRBA 12x14x34cm / 4.7x5.5x13.3in
 OHPVIRA 9.5x13x19.5cm / 3.7x5.1x7.6in
 OIRCR 6.3x4.4x11.7cm / 2.4x1.7x4.6in

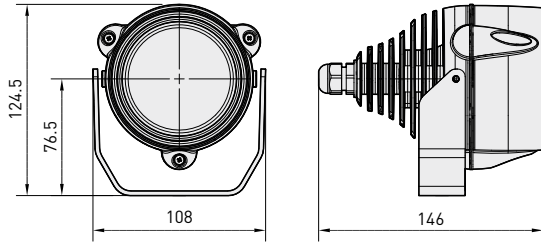
Master Carton:

IR50 15 units
 IR300 5 units
 IRPS12 12 units
 IRBA 16 units
 OHPVIRA 20 units
 OIRCR -

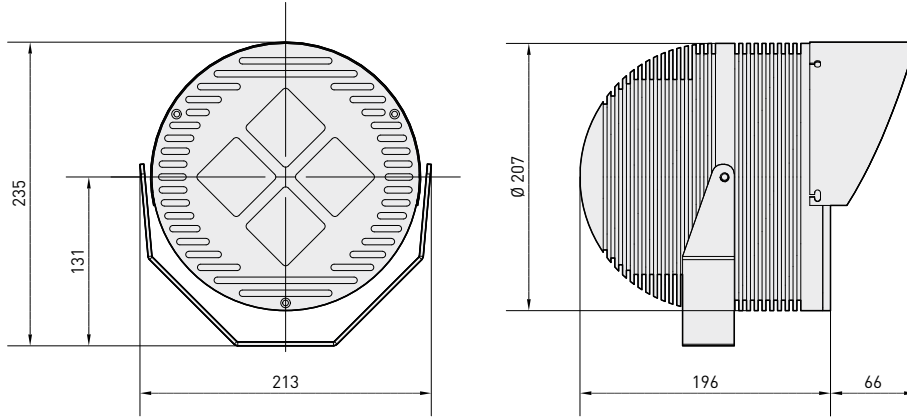
IR

ILLUMINATORS FOR DISCREET NIGHT SURVEILLANCE

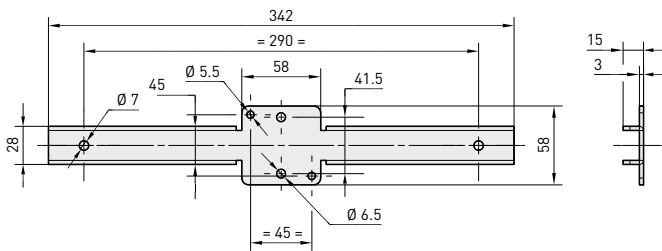
IR50



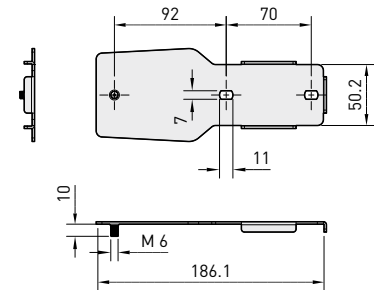
IR300



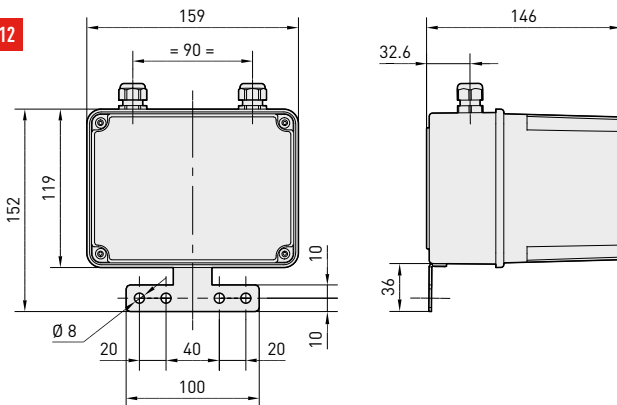
IRBA



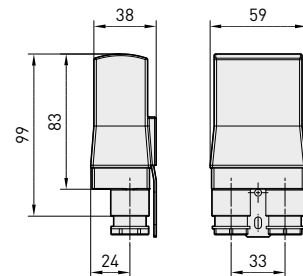
OHPVIRA



IRPS12



OIRCR



The values are in millimeters.

